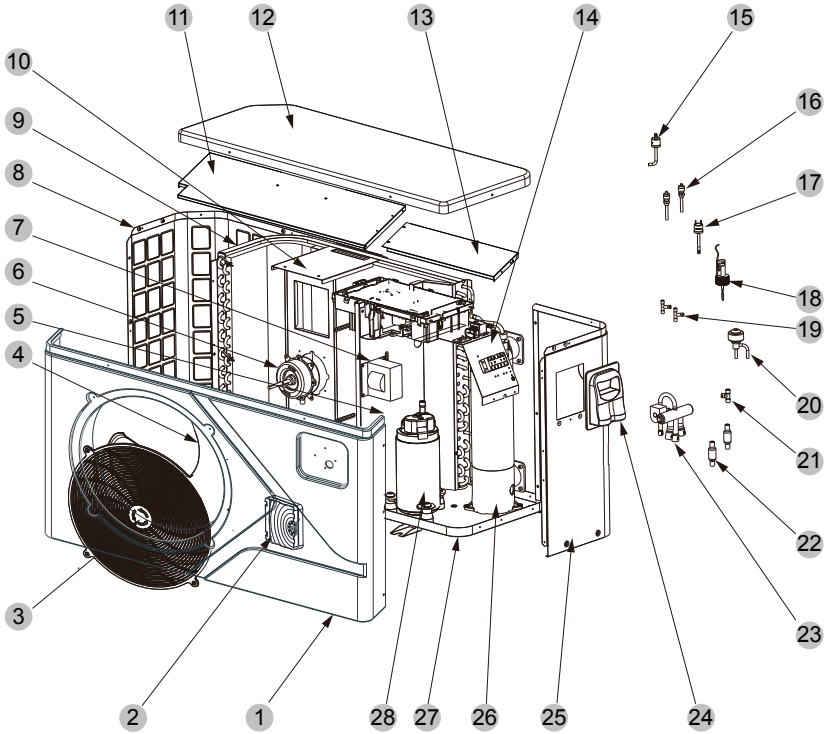


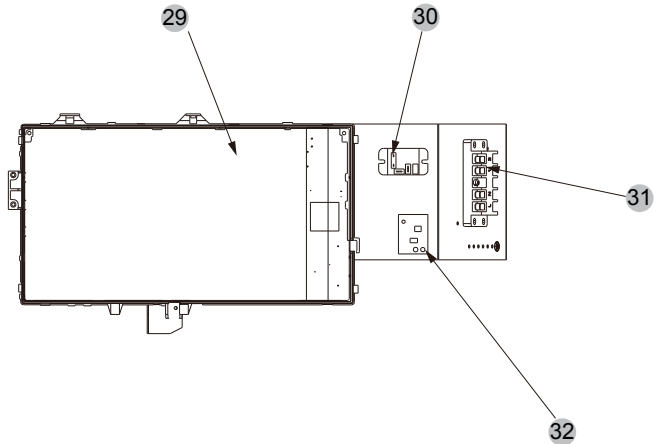
Exploded Diagram

Model and code:(DC 95 10120017)

1 Complete machine structure explosion diagram



2 Electrical control structure explosion diagram



Exploded Diagram

No.	Code	Name	Specifications	Qty
1	80900256	Front frame	ABS	1
2	72200077	CM404	82300028+82400072	1
3	20000-220369	Plastic fan net	ABS	1
4	301030-00000001	Axial fan blades	Φ510×160-Φ12(10)×3(SW)	1
5	80700245	Median septum	Galvanized plate	1
6	20000-330132	Dc motor	ZWS75-A	1
7	82500005	Reactor	R2050FNKZ 20A 50Hz 5.2mH	1
8	80701853	After the network	Galvanized plate	1
9	80600044	Finned heat exchanger	680×290×700×Φ7×1.5 2.0	1
10	80700248	Motor bracket	Galvanized plate	1
11	80700246	Top support plate	Galvanized plate	1
12	80900255	Top	ABS	1
13	80700700	Top support plate 2	Galvanized plate	1
14	80701504	Electrical box support plate	Galvanized plate	1
15	20000-360157	Pressure switch	0.30MPa/0.15MPa ±0.05 NO	1
16	20000-140150	Needle valve	40mm 1/2"	2
17	2001-3605	Pressure switch	3.2MPa/4.4MPa ±0.15 NC	1
18	83000012	Water flow switch	PSL-1 3/4	1
19	2000-1460	There-way valve	Φ6.5-2×Φ6.5(T)×0.75 T2M	2
20	81000013	Electronic expansion valve	DPF(B)2.2C-105	1
21	304030-00000002	There-way valve	Φ9.52-2×Φ6.35(T)×1.0	2
22	2004-1444	Filter	Φ9.7-Φ9.7 (Φ28) T2Y2	2
23	2004-1437	Four-way valve	SHF-9H-35U-P/C03C01S	1
24	32009-220029	Junction box body	ABS	1
25	80701852	Right side of the plate	Galvanized plate	1
26	80600096	Titanium tube heat exchanger	Φ9.52×10m Φ110	1
27	80701851	Chassis components	Galvanized plate	1
28	80100003	Compressor	WHP10830GUDPC9AQ	1
29	72200015	Frequency conversion board	82300007+82400021	1
30	20000-360297	Relay	HATF903AS30AC220 AC220V 30A	1
31	4000-3901	5 bit wiring block	RS9101C-5(450V~ 4mm ²)(L、N、PE、1、2)	1
32	82600008	Switching power supply	EPS-15-12	1