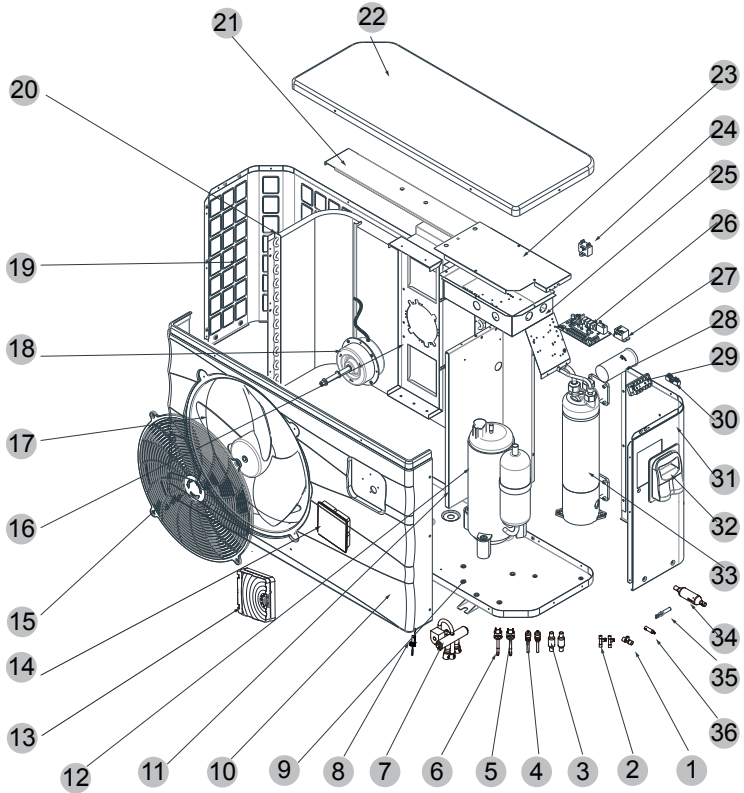


Exploded Diagram

Model and code: (PASRW015-P-AH-A 10030009)

1 Complete machine structure explosion diagram



Exploded Diagram

No.	Code	Name	Specifications	Qty
1	304030-00000002	Tee	$\Phi 9.52-2 \times \Phi 6.35(T) \times 1.0$	1
2	2000-1460	Tee	$\Phi 6.5-2 \times \Phi 6.5(T) \times 0.75 T2M$	2
3	20000-140178	Filter	$\Phi 9.7-\Phi 4.2(\Phi 28) T2Y2$	2
4	20000-140150	Needle valve	T0305-10	2
5	20000-360157	Pressure switch	0.30MPa/0.15MPa ± 0.05	1
6	2001-3605	Pressure switch	3.2MPa/4.4MPa ± 0.15	1
7	2004-1448	Four - way valve	SHF-4H-23U-P/C01C00S	1
8	20000-360005	Water flow switch	PSL-1 3/4	1
9	80700205	Chassis	Galvanized sheet	1
10	80900266	F ront panel	ASA 3mm	1
11	80700206	Middle separation panel	Black	1
12	80100028	Compressor	KSM120V2UFT	1
13	20000-220068	Electrical box	PC+ABS	1
14	72200077	Colorful display	82300028+82400072	1
15	20000-220245	Fan protection net	$\Phi 461$ ABS+30%GF	1
16	80700208	Fan bracket	Black	1
17	301030-00000006	Axial fan	$\Phi 405 \times 134-\Phi 8(7) \times 3$	1
18	80200002	fan	YDK35-6(TUV030-956P01-001) TUV	1
19	80700203	back panel	Galvanized sheet	1
20	80600090	Fin heat exchanger	$460 \times 220 \times 525 \times \Phi 7 \times 1$	1
21	80700207	Top support plate	Black	1
22	80900270	Top cover	ASA 3mm	1
23	80700059	Electrical box cover	Black	1
24	2000-3506	Fan capacitance	CBB61-2 μ F/500V(印450V)P2	1
25	80700058	Electrical box	Black	1
26	20000-430227	Pc1004	MXL227	1
27	20000-360297	Relay	HATF903AS30AC220 AC220V 30A	1
28	2000-3504	Compressor capacitance	CBB65-35 μ F/450V P2 B级	1
29	4000-3901	Five-bit connection block	RS9101C-5(450V~ 4mm2)	1
30	2000-3909	Two-seat connector	RS9211(450V~ 4mm2)	1
31	80700579	Right-side panel	Galvanized sheet	1
32	32009-220029	Protection cover	ABS Black	1

Exploded Diagram

No.	Code	Name	Specifications	Qty
33	80600092	Titanium heat exchanger	$\Phi 9.52 \times 3.5\text{m } \Phi 110$	1
34	2001-1499	Unidirectional valve	PKV-6X1	1
35	20000-140068	Double capillary joint	$2 \times \Phi 2.9 - \Phi 9.52$	1
36	20000-140066	Adjustable tube	$\Phi 9.52 - \Phi 2.9 \times 0.75 \text{ T2M}$	1