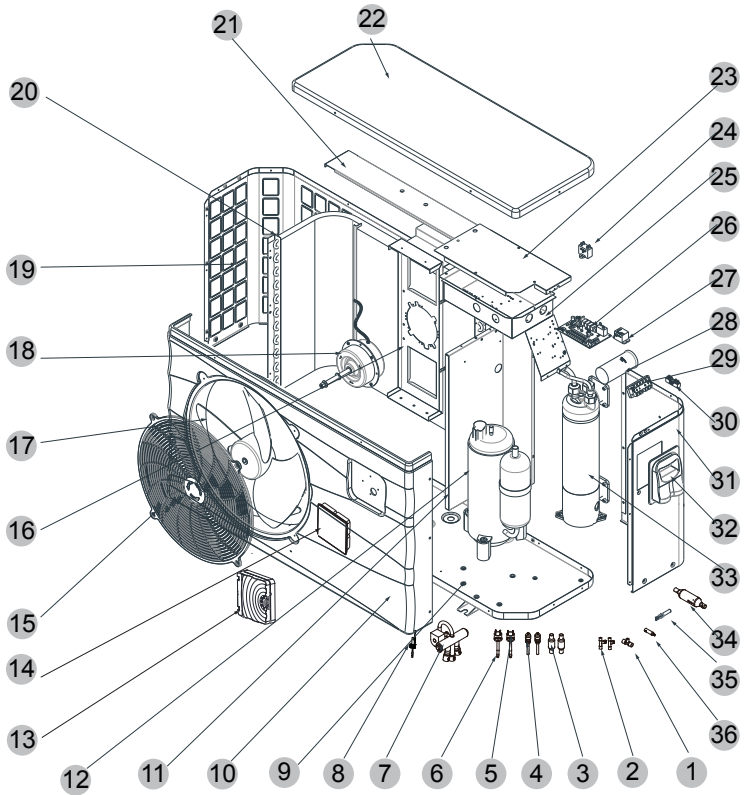


Exploded Diagram

Model and code: (PASRW020-P-AH-A 1000015)

1 Complete machine structure explosion diagram



Exploded Diagram

No.	Code	Name	Specifications	Qty
1	304030-00000002	Tee	$\Phi 9.52-2 \times \Phi 6.35(T) \times 1.0$	1
2	2000-1460	Tee	$\Phi 6.5-2 \times \Phi 6.5(T) \times 0.75 T2M$	2
3	20000-140178	Filter	$\Phi 9.7-\Phi 4.2(\Phi 28) T2Y2$	2
4	20000-140150	Needle valve	T0305-10	2
5	20000-360157	Pressure switch	0.30MPa/0.15MPa ± 0.05	1
6	2001-3605	Pressure switch	3.2MPa/4.4MPa ± 0.15	1
7	2004-1437	Four - way valve	SHF-9H-35U-P	1
8	20000-360005	Water flow switch	PSL-1 3/4	1
9	80700211	Chassis	Galvanized sheet	1
10	80900271	F ront panel	ASA 3mm	1
11	80700212	Middle separation panel	Black	1
12	80100040	Compressor	QXF-D193F050	1
13	20000-220068	Electrical box	PC+ABS	1
14	72200077	Colorful display	82300028+82400072	1
15	20000-220188	Fan protection net	$\Phi 507$ ABS+30%GF	1
16	80700214	Fan bracket	Black	1
17	3500-2701	Axial fan	$\phi 440 \times 152$ AS+20%GF	1
18	3404-3301	fan	YDK45-6 (TUV060-1206P01-001)	1
19	80700209	back panel	Galvanized sheet	1
20	301060-20250002	Fin heat exchanger	$650 \times 245 \times 550 \times \Phi 7 \times 1$	1
21	80701859	Top support plate	Black	1
22	80900254	Top cover	ASA 3mm	1
23	80700048	Electrical box cover	Black	1
24	2000-3501	Fan capacitance	CBB61-3 μ F/500V(印450V)P2	1
25	80700049	Electrical box	Black	1
26	20000-430227	Pc1004	MXL227	1
27	20000-360297	Relay	HATF903AS30AC220 AC220V 30A	1
28	2000-3505	Compressor capacitance	CBB65-50 μ F/450V P2 B	1
29	4000-3901	Five-bit connection block	RS9101C-5(450V~ 4mm2)	1
30	2000-3909	Two-seat connector	RS9211(450V~ 4mm2)	1
31	80700580	Right-side panel	Galvanized sheet	1
32	32009-220029	Protection cover	ABS Black	1

