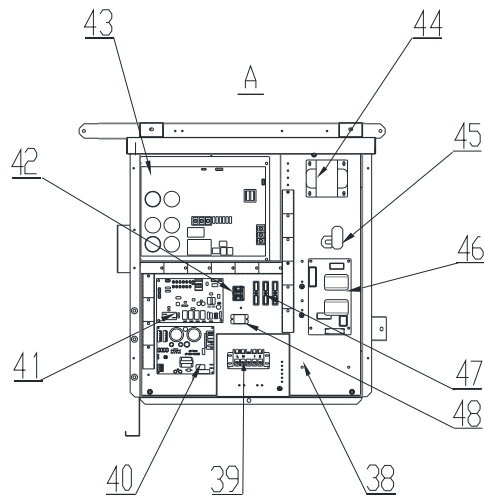
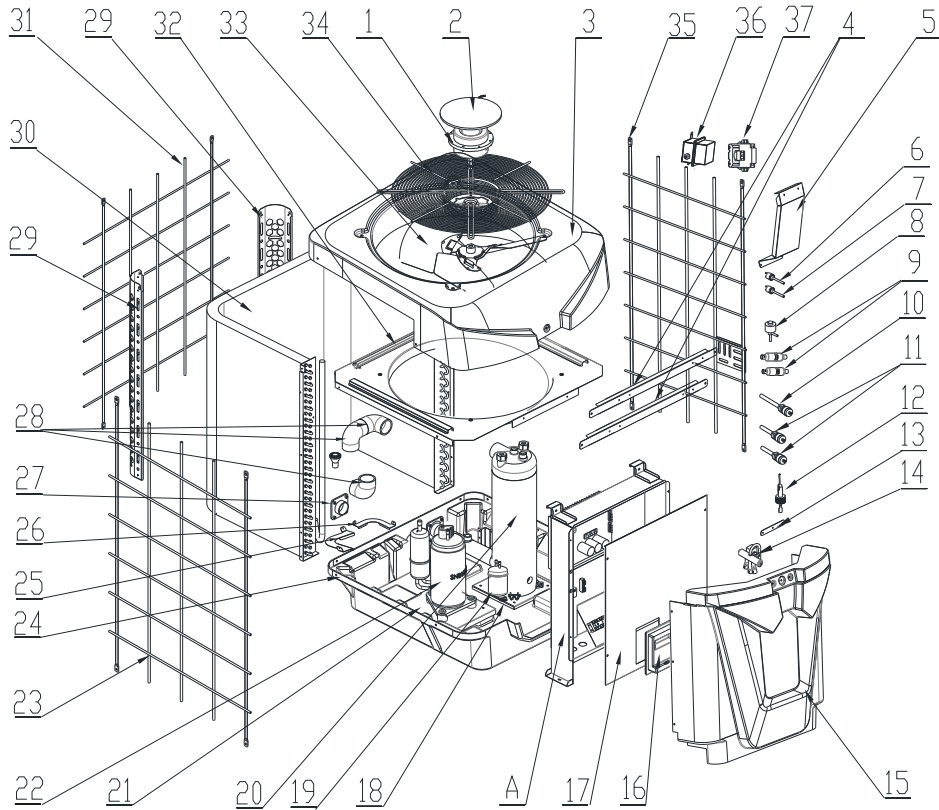


PASRW060-U-P-BP4 (10140052)



| SN | Part Code | Part name | Standard |
|----|----------------|-------------------------------|--|
| 1 | 20000-330381 | Axial flow fan motor | ZWS200-B3 |
| 2 | 20000-220320 | Cover plate | ABS+PC |
| 3 | 32003-220007 | The top | ABS 4 mm UV resistant black fine grain 9005 |
| 4 | 80704395 | The beam | 1.0 spraying black galvanized sheet |
| 5 | 32002-210071 | The fan guard | 1.0 spraying black galvanized sheet |
| 6 | 2001-3605 | High Pressure switch | 3.2 MPa / 4.4 MPa + / - 0.15 normally closed |
| 7 | 20000-360157 | Low Pressure switch | 0.3 MPa / 0.15MPa + / - 0.05 normally open |
| 8 | 20000-140442 | Electronic expansion valve | DPF(TS1)2.4C-04(body printing: TS124C04) |
| 9 | 20000-140027 | The filter | Φ12.9-Φ12.9 (Φ28) T2Y2 |
| 10 | 20000-140512 | needle valve | 95mm 7/16" |
| 11 | 20000-140150 | needle valve | 40mm 1/2" |
| 12 | 20000-360005 | flow switch (mould) | PSL 1 3/4 teeth all plastic inside |
| 13 | 32002-210084 | Surface box fixed plate | 1.0 spraying black galvanized sheet |
| 14 | 2001-1491 | 4-way valve | SHF-20A-46/DSF-20-R410A |
| 15 | 80900601 | The front panel | ABS 3.5 mm UV resistant black fine grain 9005 |
| 16 | 20000-220247 | The junction box body | C ABS black |
| 17 | 80702644 | Electrical plate | 1.0 spraying black galvanized sheet |
| 18 | 32003-210139 | Titanium pipe support | 1.0 spraying black galvanized sheet |
| 19 | 20000-140579 | Tank | TY-20-SX |
| 20 | 32016-120012 | Titanium tube heat exchanger | Φ16×16m Φ160 titanium threaded pipe |
| 21 | 32002-210073 | Press stents | 1.0 spraying black galvanized sheet |
| 22 | 80100069 | Compressor | 9VD330XAB21 |
| 23 | 80705114 | Left protect net | Φ 5 / Φ 4 iron wire black fine grain 9005 |
| 24 | 80900565 | chassis | ABS 4 mm UV resistant black fine grain 9005 |
| 25 | 80704396 | Pad | 1.0 stainless steel |
| 26 | 80704397 | Pad | 1.0 stainless steel |
| 27 | 2003-1379 | Joint | F 50 x 1.5" internal thread 80 x 80 square plate PVC |
| 28 | 2001-1359 | The 90 ° elbow | Φ50 PVC |
| 29 | 80702346 | After the pillarWater | 1.0 spraying gray galvanized sheet |
| 30 | 32003-120028 | Finned heat exchanger | 551×722×551×800×Φ7×2 |
| 31 | 80705115 | back protect net | Φ 5 / Φ 4 iron wire black fine grain 9005 |
| 32 | 32002-210087 | Top support plate component | Do not spray |
| 33 | 3507-2195 | Axial flow fan | ZF5.6-H150-J3-D12.7-NB Φ560 |
| 34 | 32003-210142 | Fan nets (with plastic cover) | Φ6 Φ3 iron wire |
| 35 | 80705113 | Right protect net | Φ 5 / Φ 4 iron wire black fine grain 9005 |
| 36 | 80702226 | Unite BOX | 1.0 spraying black galvanized sheet |
| 36 | 80701839 | Unite BOX | 1.0 spraying black galvanized sheet |
| 37 | 20000-360006 | Single-phase AC contactor | HCC-1NU04AA |
| 38 | 80703694 | Explosion-proof ox | Spraying black |
| 39 | 4000-3901 | Five-position junction seat | RS9101C-5(450V~ 4mm2)(L, N, PE, 1, 2) |
| 40 | 20000-430228 | Fan speed module | MXL228 |
| 41 | 20000-430227 | Pc1004r | MXL227 |
| 42 | 20000-390046 | Terminal | MSB 2.5-M |
| 42 | 20000-390047 | Terminal plate | D-MSB 1.5-F |
| 42 | 20000-390048 | Terminal | MSDB 2.5-M |
| 42 | 20000-390049 | Terminal | MSB 2.5-F |
| 43 | 82300019 | Driver module | 2AC32I07WM1 |
| 44 | 20000-370030 | Reactor | R3005RJC-1 |
| 45 | 20000-320113 | Thermistor | MZ92100RM(100Ω) |
| 46 | 02010-00000007 | Driver board filter | AC19I32.RWL.150B13 |
| 47 | 2000-3909 | Two-position junction seat | RS9211(450V~ 4mm2) |
| 48 | 20000-360297 | Relay | HATF903AS30AC220 AC220V 30A |