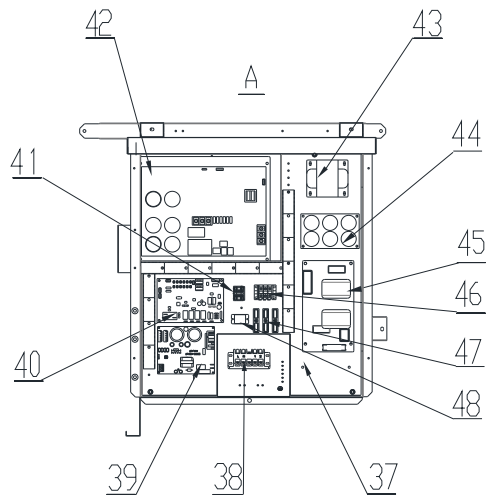
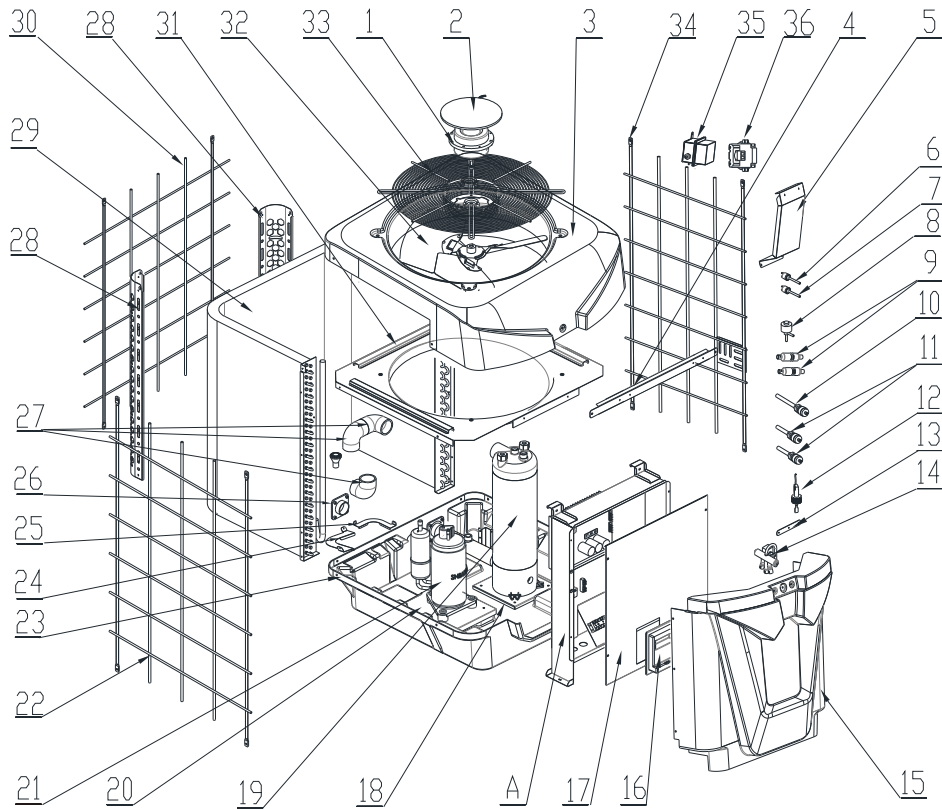


# PASRW060S-U-P-BP4 (10140053)



SN	Part Code	Part name	Standard
1	20000-330381	Axial flow fan motor	ZWS200-B3
2	20000-220320	Cover plate	ABS+PC
3	32003-220007	The top	ABS 4 mm UV resistant black fine grain 9005
4	80704395	The beam	1.0 spraying black galvanized sheet
5	32002-210071	The fan guard	1.0 spraying black galvanized sheet
6	2001-3605	High Pressure switch	3.2 MPa / 4.4 MPa + / - 0.15 normally closed
7	20000-360157	Low Pressure switch	0.3 MPa / 0.15MPa + / - 0.05 normally open
8	20000-140449	Electronic expansion valve	DPF(TS1)1.8C-03(body printing: TS1 T8C03)
9	20000-140027	The filter	Φ12.9-Φ12.9 (Φ28) T2Y2
10	20000-140512	needle valve	95mm 7/16"
11	20000-140150	needle valve	40mm 1/2"
12	20000-360005	flow switch (mould)	PSL 1 3/4 teeth all plastic inside
13	32002-210084	Surface box fixed plate	1.0 spraying black galvanized sheet
14	2001-1491	4-way valve	SHF-20A-46/DSF-20-R410A
15	80900601	The front panel	ABS 3.5 mm UV resistant black fine grain 9005
16	20000-220247	The junction box body	C ABS black
17	80702644	Electrical plate	1.0 spraying black galvanized sheet
18	32003-210139	Titanium pipe support	1.0 spraying black galvanized sheet
19	32016-120012	Titanium tube heat exchanger	Φ16×16m Φ160 titanium threaded pipe
20	32002-210073	Press stents	1.0 spraying black galvanized sheet
21	80100069	Compressor	9VD330XAB21
22	80705114	Left protect net	Φ 5 / Φ 4 iron wire black fine grain 9005
23	80900565	chassis	ABS 4 mm UV resistant black fine grain 9005
24	80704396	Pad	1.0 stainless steel
25	80704397	Pad	1.0 stainless steel
26	2003-1379	Joint	F 50 x 1.5 "internal thread 80 x 80 square plate PVC
27	2001-1359	The 90 ° elbow	Φ 50 PVC
28	80702346	After the pillarWater	1.0 spraying gray galvanized sheet
29	32003-120028	Finned heat exchanger	551×722×551×800×Φ7×2
30	80705115	back protect net	Φ 5 / Φ 4 iron wire black fine grain 9005
31	32002-210087	Top support plate component	Do not spray
32	3507-2195	Axial flow fan	ZF5.6-H150-J3-D12.7-NB Φ560
33	32003-210142	Fan nets (with plastic cover)	Φ6 Φ3 iron wire
34	80705113	Right protect net	Φ 5 / Φ 4 iron wire black fine grain 9005
35	80702226	Unite BOX	1.0 spraying black galvanized sheet
35	80701839	Unite BOX	1.0 spraying black galvanized sheet
36	20000-360023	Three-phase AC contactor	DPA51CM44-B014T
37	80703694	Explosion-proof ox	Spraying black
38	4000-3901	Five-position junction seat	RS9101C-5(450V- 4mm2 I(L, N, PE, 1, 2)
39	20000-430228	Fan speed module	MXL228
40	20000-430227	Pc1004r	MXL227
41	20000-390046	Terminal	MSB 2.5-M
41	20000-390047	Terminal plate	D-MSB 1.5-F
41	20000-390048	Terminal	MSDB 2.5-M
41	20000-390049	Terminal	MSB 2.5-F
42	82300112	Driver module	2AC32140WM1
43	20000-370030	Reactor	R3005RJC-1
44	302010-00000014	Inverter board capacitor	1AC58104CP2
45	82300074	Driver board filter	1AC32120WL2
46	20000-390223	Three wire holder	UTD-32/3P(L N PE)
47	2000-3909	Two-position junction seat	RS9211(450V- 4mm2)
48	20000-360297	Relay	HATF903AS30AC220 AC220V 30A