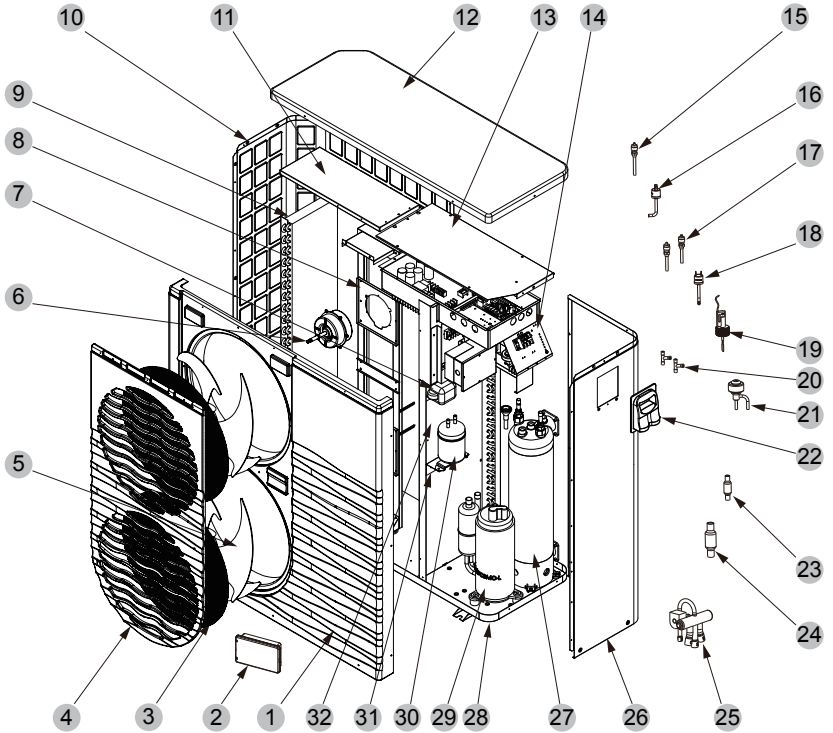


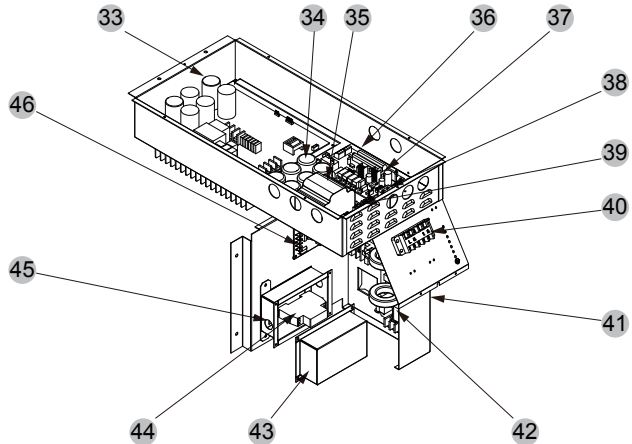
Exploded Diagram

Model and code: (WP 140 Tri 10140017)

1 Complete machine structure explosion diagram



2 Electrical control structure explosion diagram



Exploded Diagram

No.	Code	Name	Specifications	Qty
1	80900301	Front frame	ABS	1
2	95005-310500	CP302	20000-430176+35005-310500	1
3	32018-210132	Embedded network	20mm×7mm	2
4	32019-210065	Plastic fan net	ABS	1
5	20000-270004	Axial fan blades	Z500-145	2
6	20000-330132	Dc motor	ZWS75-A	2
7	20000-370030	Reactance	R3005RJC-1	1
8	80700399	Motor bracket	Galvanized plate	1
9	80600111	Finned heat exchanger	714×353×1200×Φ7×2 2.0	1
10	80700905	After the network	Galvanized plate	1
11	80700400	Top support plate	Galvanized plate	1
12	80900280	Top	ABS	1
13	80700407	Cover plate for electric box	Galvanized plate	1
14	80700409	Electrical box	Galvanized plate	1
15	20000-140512	Needle valve	95mm 7/16"	1
16	20000-360157	Pressure switch	0.30MPa/0.15MPa ±0.05 NO	1
17	20000-140150	Needle valve	40mm 1/2"	2
18	2001-3605	Pressure switch	3.2MPa/4.4MPa ±0.15 NC	1
19	83000012	Water flow switch	PSL-1 3/4	1
20	2000-1460	There-way valve	Φ6.5-2×Φ6.5(T)×0.75 T2M	3
21	20000-140401	Electronic expansion valve	DPF(TS1)3.0C-01	1
22	32009-220029	Junction box body	ABS	1
23	2004-1444	Filter	Φ9.7-Φ9.7(Φ28) T2Y2	1
24	20000-140027	Filter	Φ12.9-Φ12.9(Φ28) T2Y2	1
25	2001-1491	Four-way valve	SHF-20A-46/-V6-412080-1XX	1
26	80701935	Right side of the plate	Galvanized plate	1
27	80600115	Titanium tube heat exchanger	Φ16×7.9m+Φ12.7×6.1m	1
28	80700903	Chassis	Galvanized plate	1
29	301010-00000006	Compressor	MVB42FCBMC-L	1
30	20000-140579	Storage tank	TY-20-SX	1
31	32019-210074	Support plate	Galvanized plate	1
32	80700403	Median septum	Galvanized plate	1
33	302010-00000012	Driver module	2AC58I16W	1

Exploded Diagram

No.	Code	Name	Specifications	Qty
34	302010-00000014	Capacitance plate	Variable frequency capacitor plate	1
35	83100009	Three-phase surge protector	Three-phase surge protector	1
36	80700410	Electrical box liner	Electrical box liner	1
37	72200033	PC4001	PC4001	1
38	20000-360297	Relay	Relay	1
39	2000-3909	2 bit wiring block	2 bit wiring block	3
40	20000-390180	5 bit wiring block	5 bit wiring block	1
41	80700411	Electrical box 2	Electrical box 2	1
42	302010-00000013	Driver filter	Driver filter	1
43	80701839	Cover of explosion-proof box	Cover of explosion-proof box	1
44	20000-360023	Three-phase ac monitor	Three-phase ac monitor	1
45	80702226	Explosion-proof box	Explosion-proof box	1
46	72200052	ZL10 V3	ZL10 V3	1